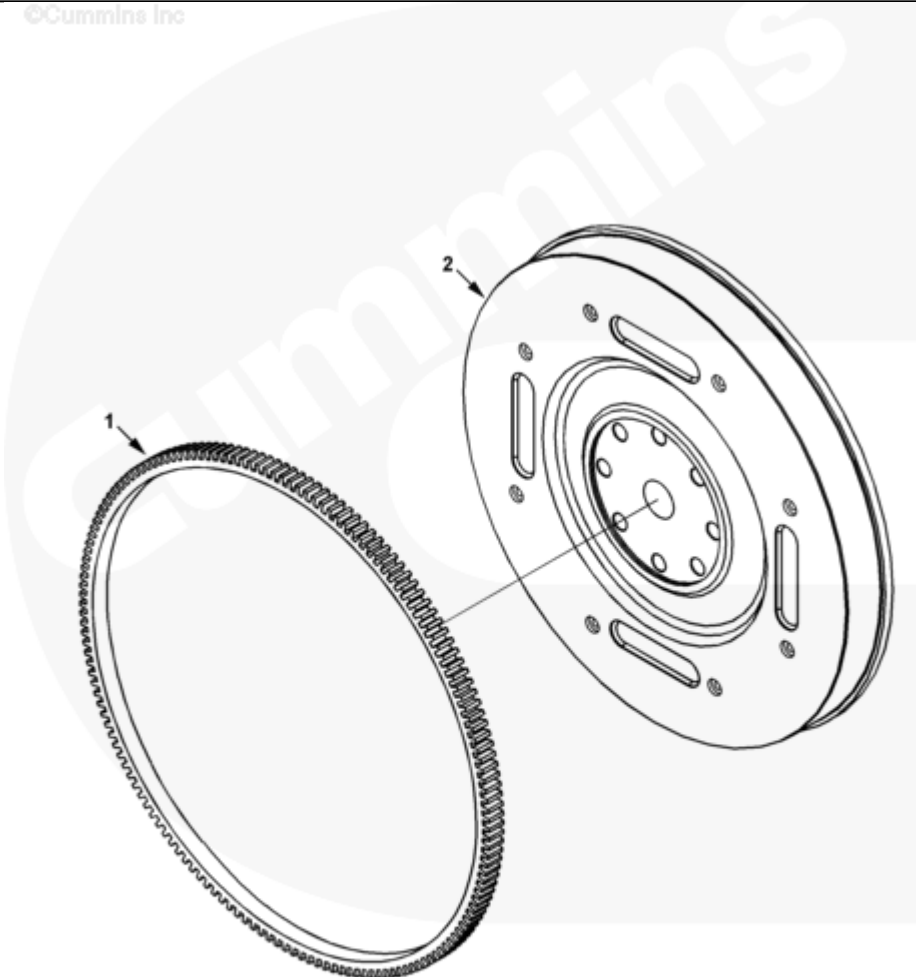




## Parts Catalog - Option Detail

Electronic Parts Catalog - Option Detail				
Option	Group	Graphic	Film Card	Date
FW9959	16.02	fw956gk	Z	02-JAN-06
<b>Engines</b>	6C8.3, C GAS PLUS CM556, G8.3, G8.3 CM558, GTA8.3 CM558, ISC CM2150, ISC CM554, ISC CM850, ISC8.3 CM2250, ISC8.3 G CM2180 C101, ISL CM2150, ISL CM554, ISL CM850, ISL G CM2180, ISL8.9 CM2150 L110, ISL8.9 CM2880 L112, ISL9 CM2150 SN, ISL9 CM2250, ISL9 CM2350 L101, ISL9 CM2350 L111, ISLE4 CM850, L GAS PLUS CM556, L8.9, L8.9 L121, L8.9G CMOH2.0 L125B, L9 CM2350 L116B, L9 CM2350 L119B, L9 CM2350 L120C, L9 CM2350 L123B, L9.3 L105, L9.5 L117, L9N CM2380 L124B, QSC8.3 CM2250, QSC8.3 CM2880 C102, QSC8.3 CM554, QSC8.3 CM850(CM2850), QSL9 CM2250, QSL9 CM2250 L115, QSL9 CM2350 L102, QSL9 CM2350 L107, QSL9 CM2350 L118, QSL9 CM2350 L122, QSL9 CM554, QSL9 CM850(CM2850), QSL9 G CM558, QSL9 M CM2250 L106, QSL9.3 CM2880 L113			



fw956gk

[SMALL](#) | [MEDIUM](#) | [LARGE](#)

Cart	Ref No	Part Number	Part Description	Required	Remarks
<a href="#">View My Cart</a>					
		FW9959	Flywheel		<a href="#">ME - FLYWHEEL...(More)</a>
					Ring Gear Diametral Pitch:
					8/10
					Ring Gear Tooth Count: 127
					Ring Gear Outside Diameter
					(mm): 407.85
					Supplier: Cummins
					Type: Flywheel
					Max Full Load Rated Speed
					(Not to Exceed): 3970
					Flywheel Inertia: 0.78
					Flywheel Mounting Flange to
					Ring Gear Leading Edge
					(mm): 16.13
					Mounting Web Thickness
					(mm): 16
					Pilot Bearing Bore Diameter
					(mm): 71.968
					Clutch/T.C. Mounting Bolt
					Circle Count: Single
					Clutch/T.C. Mounting Hole
					Count: 8
					Clutch/T.C. Mounting Bolt
					Circle Diameter (mm): 338.38
					Clutch/T.C. Mounting Hole
					Spacing: Equal
					Clutch/T.C. Mounting Hole
					Size: 3/8-16 UNC

					Cummins Material Standard:
					41044
					Intended Drive Hardware:
					11-1/2 in. Overcenter Clutch
<input type="checkbox"/>		<a href="#">3974411</a>	Flywheel	1	
<input type="checkbox"/>	1	<a href="#">3905427</a>	Flywheel Ring Gear	1	
	2	<a href="#">3974410</a>	Flywheel	1	

© 2019 Cummins Inc., Box 3005, Columbus, IN 47202-3005 U.S.A.  
 Terms of Use and Disclaimers | Recommended System Requirements  
 Need Assistance? Please click on the Contact Us button in the top right corner of any page.